

Zehnder Charleston Bench

Product data sheet

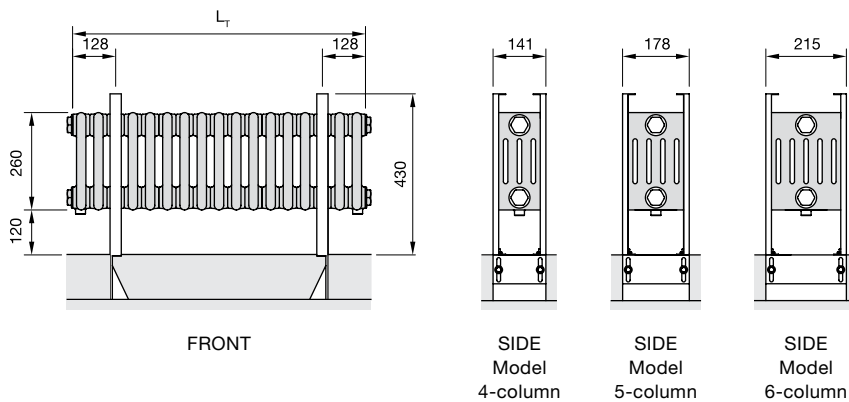


Zehnder Charleston Bench is suitable for a variety of environments and purposes through its combination of bench, storage option and radiator. In both private and public rooms. Because every place and requirement is different, this model offers a wide range of ways to combine bench, storage option and radiator. The bench can be selected on site. Customers can decide themselves which storage option or seat design is best. Available in almost any colour and finish from the Zehnder colour chart.

Benefits

- Individuality through a large range of models and different bench seat finishes that can be chosen on site
- Classic, elegant design blends in with any setting
- High proportion of radiation ensures comfort
- Stable bench, which is ideal for public buildings
- Compatible with a heat pump and/or low-temperature systems
- High level of heat capacity also for old buildings with a high heating load
- Residue-free laser welding technology “LaZer made” guarantees maximum quality, high-end design and reliable operation of the heating system

Model overview



L_T = total length

Dimensions in mm

Model 4-column

Technical specifications per radiator

Model	H	$H_T^{1)}$	$L_T^{2)}$	T	Thermal output		
					$75/65/20\text{ }^\circ\text{C}^{3)}$	$70/55/20\text{ }^\circ\text{C}$	$55/45/20\text{ }^\circ\text{C}$
					Watt	Watt	Watt
CB4026-22	260	430	1038	141	804	656	425
CB4026-27	260	430	1268	141	986	805	521
CB4026-31	260	430	1452	141	1132	924	598
CB4026-35	260	430	1636	141	1278	1043	675
CB4026-38	260	430	1774	141	1388	1133	733
CB4026-44	260	430	2050	141	1607	1312	849
CB4026-50	260	430	2326	141	1826	1490	964

H = height, H_T = total height, L_T = total length, T = depth

1) Total height measured from finished floor to top of centre support

2) Number of bench brackets depending on length: L = 1038 mm with 2 brackets, L = 1268 - 1636 mm with 3 brackets, L = 1774 - 2326 mm with 4 brackets

3) Nominal heat output according to EN 442

Zehnder Charleston Bench

Model 5-column

Technical specifications per radiator

Model	H	H _T ¹⁾	L _T ²⁾	T	Thermal output		
					75/65/20 °C ³⁾	70/55/20 °C	55/45/20 °C
	mm	mm	mm	mm	Watt	Watt	Watt
CB5026-22	260	430	1038	178	993	810	524
CB5026-27	260	430	1268	178	1218	994	643
CB5026-31	260	430	1452	178	1399	1142	739
CB5026-35	260	430	1636	178	1579	1289	834
CB5026-38	260	430	1774	178	1715	1400	906
CB5026-44	260	430	2050	178	1986	1621	1049
CB5026-50	260	430	2326	178	2256	1841	1191

Model 6-column

Technical specifications per radiator

Model	H	H _T ¹⁾	L _T ²⁾	T	Thermal output		
					75/65/20 °C ³⁾	70/55/20 °C	55/45/20 °C
	mm	mm	mm	mm	Watt	Watt	Watt
CB6026-22	260	430	1038	215	1177	957	615
CB6026-27	260	430	1268	215	1445	1176	755
CB6026-31	260	430	1452	215	1659	1350	867
CB6026-35	260	430	1636	215	1873	1524	979
CB6026-38	260	430	1774	215	2033	1654	1063
CB6026-44	260	430	2050	215	2354	1915	1230
CB6026-50	260	430	2326	215	2675	2176	1398

H = height, H_T = total height, L_T = total length, T = depth

1) Total height measured from finished floor to top of centre support

2) Number of bench brackets depending on length: L = 1038 mm with 2 brackets, L = 1268 - 1636 mm with 3 brackets, L = 1774 - 2326 mm with 4 brackets

3) Nominal heat output according to EN 442

Zehnder Group Deutschland GmbH · Sales International · Almweg 34 · 77933 Lahr · Germany

T +49 7821 586-392 · F +49 7821 586-406 · sales.international@zehndergroup.com · www.international.zehnder-systems.com

zehnder